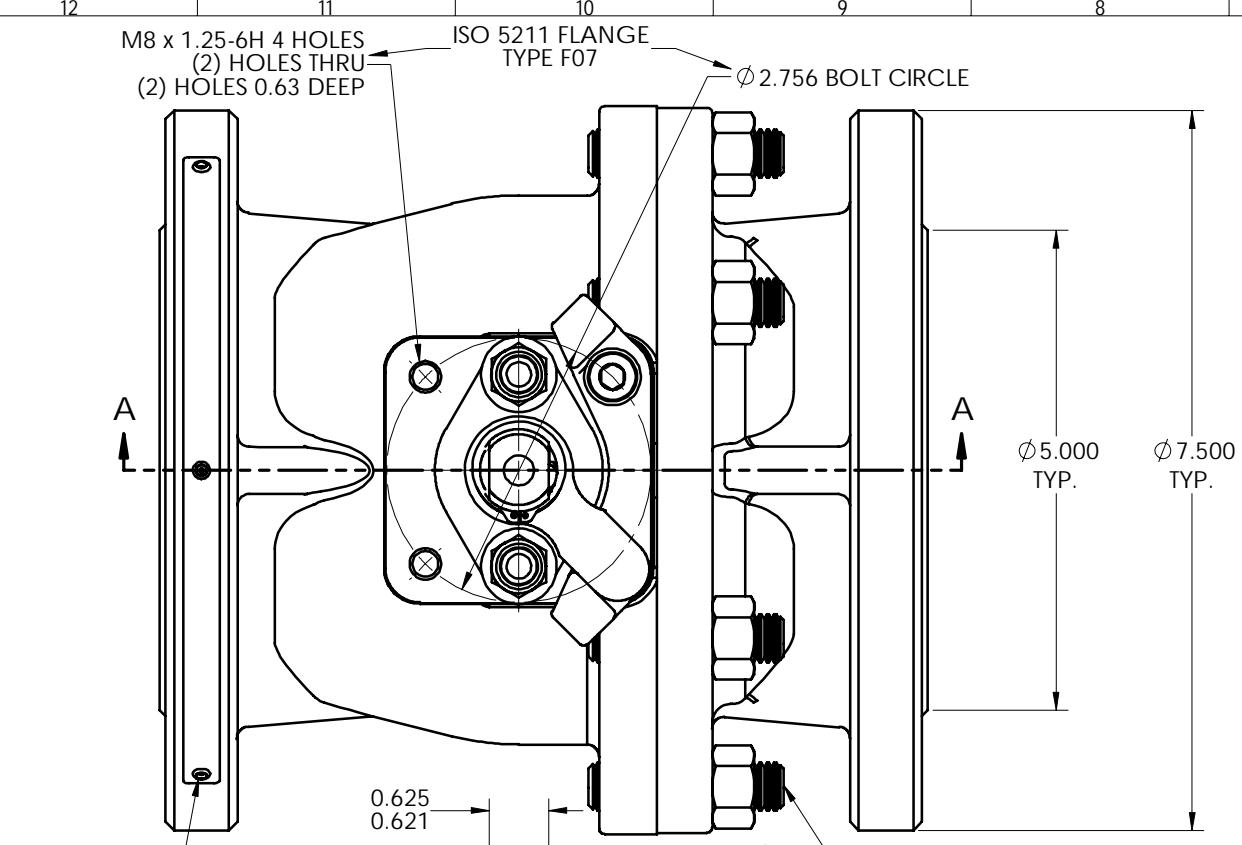
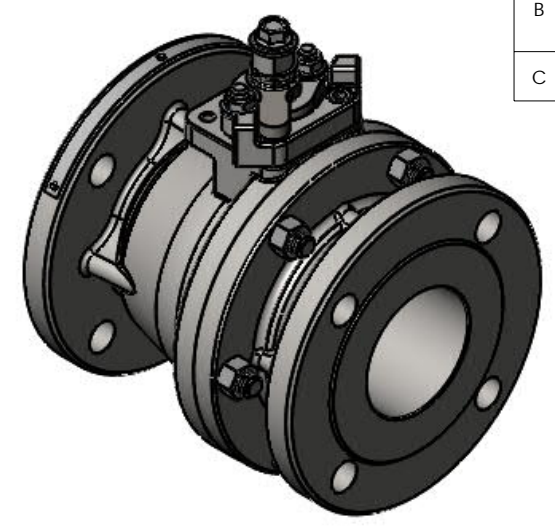
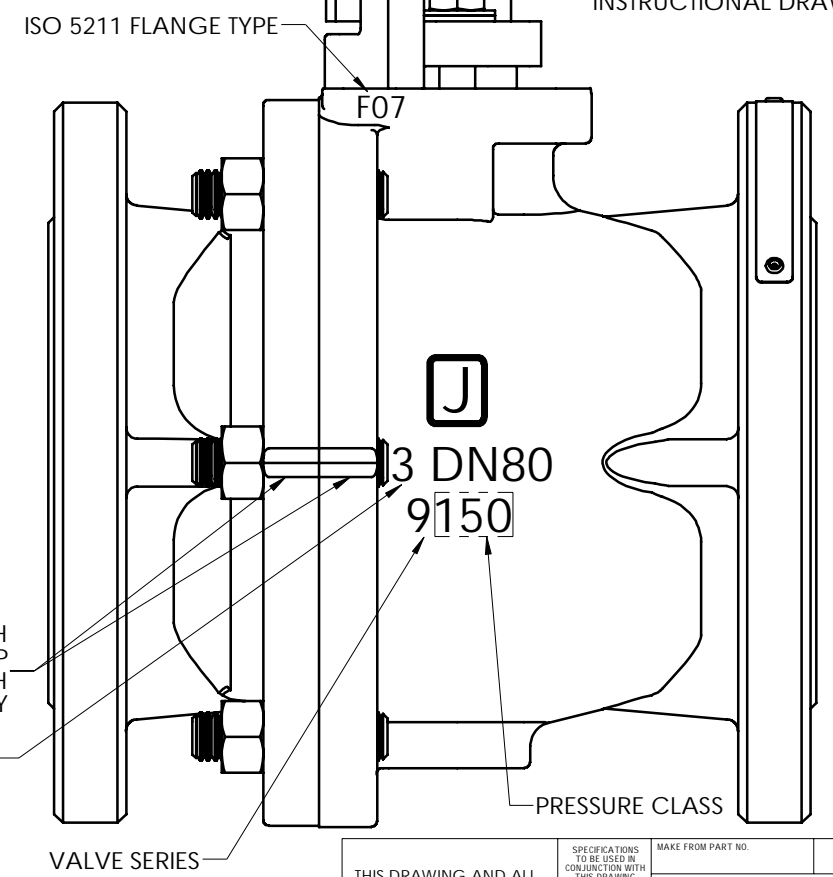
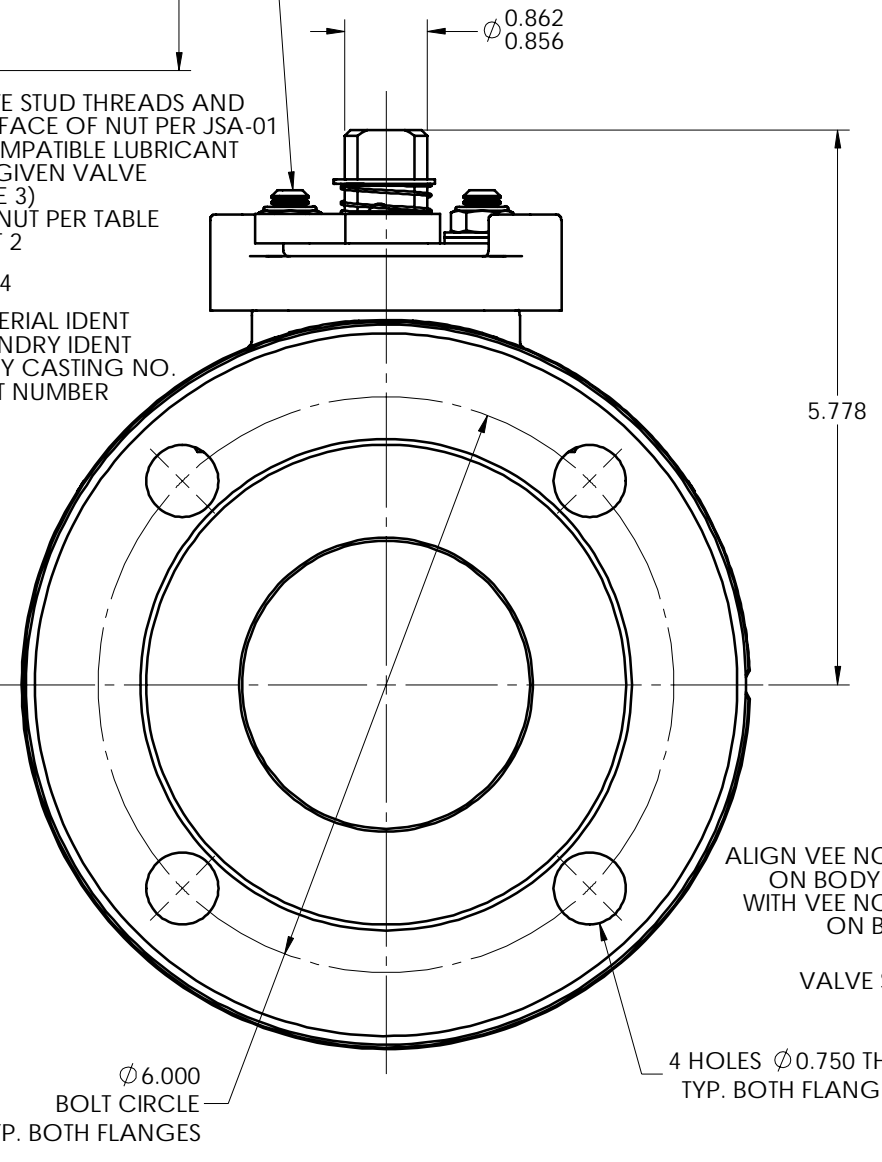
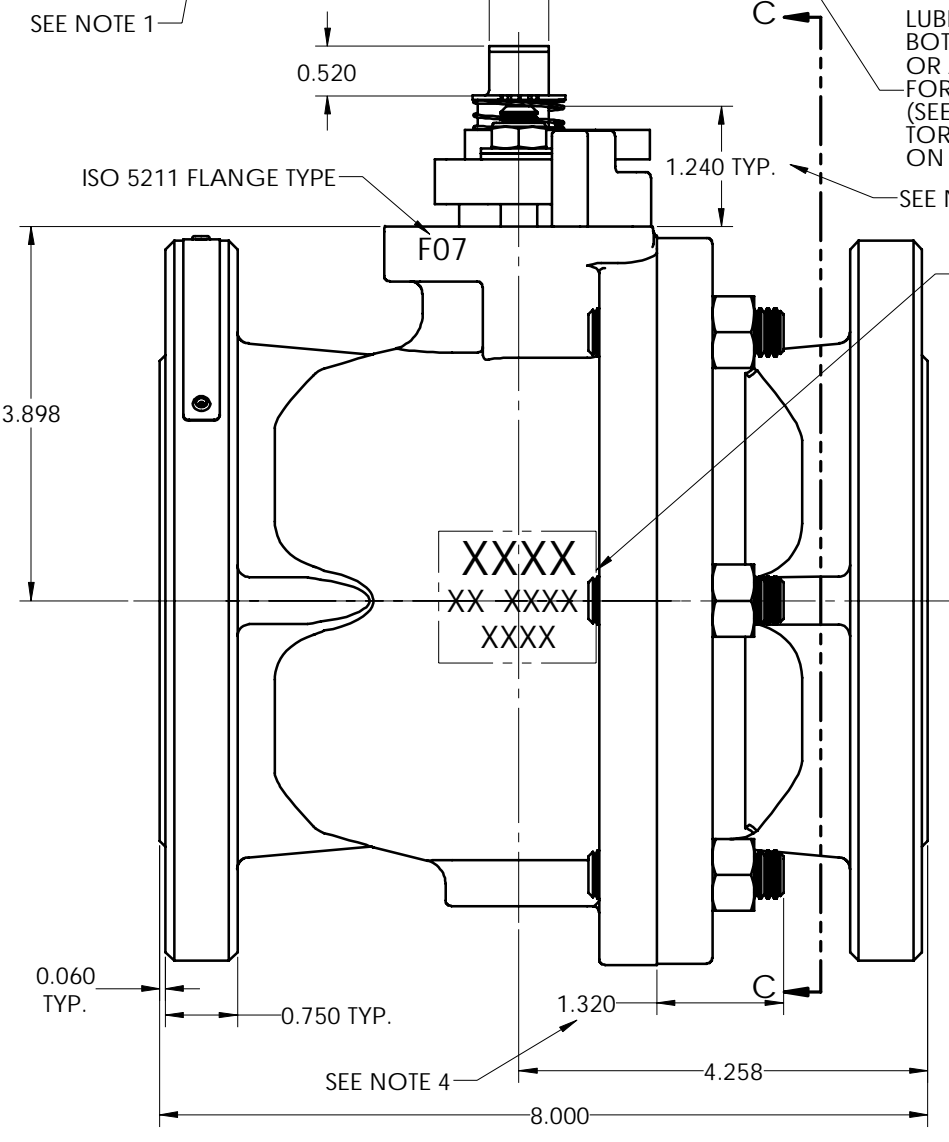


| LET | ECN | REVISION | DRAWN | APPROVED | DATE |
|-----|-------|---|-------|----------|---------|
| A | 43653 | REVISED NOTE 5 ADDED (ESNA) TO ITEM 30 | PJD | KAS | 4/13/16 |
| B | 43764 | REMOVED METRIC DIMENSIONS REVISED NOTE 5 ADDED NOTE 6 | PJD | KAS | 6/10/16 |
| C | 44414 | SEE ECN FOR CHANGES | KML | PJD | 8-24-18 |

- NOTES:
- Ⓒ 1. ATTACH IDENTIFICATION TAG PER JS-115.
 - 2. FOR INSTALLATION, MAINTENANCE & OPERATING INSTRUCTIONS SEE IMO-R29.
 - 3. WHERE IDENTIFICATION APPEARS ON NUT OR STUD FACE, ASSEMBLE WITH IDENTIFICATION ALWAYS VISIBLE.
 - 4. STUD HEIGHT IS ONLY APPLICABLE WHEN USING CONTINUOUS THREADED STUDS. WHEN USING CONTINUOUS THREADED STUDS, USE LOCTITE #271 ON STUD THREADS INTO BODY PER JSA-34. DOUBLE ENDED STUDS DO NOT REQUIRE LOCTITE.
 - 5. DIMENSIONS ARE IN INCHES. (A) (B)
 - 6. SEE INSTUCTIONAL DRAWING I-1774 FOR HANDLE OPTIONS AND DIMENSIONS. (B)
 - Ⓒ 7. DOUBLE ENDED STUDS MAY BE SUBSTITUTED WITH CONTINUOUS THREADED STUDS IN THE SAME MATERIAL. APPROVED CONTINUOUS THREADED STUD SUBSTITUTIONS ARE SHOWN ON INSTRUCTIONAL DRAWING, I-1783.



LUBRICATE STUD THREADS AND
BOTTOM FACE OF NUT PER JSA-01
OR A COMPATIBLE LUBRICANT
FOR THE GIVEN VALVE
(SEE NOTE 3)
TORQUE NUT TO 4 FT.-LBS.



© 2019 Metso

THIS DRAWING AND ALL
INFORMATION
CONTAINED HEREIN ARE
THE PROPERTY OF METSO
AND ARE NOT TO BE
USED EXCEPT AS
AUTHORIZED IN WRITING
BY METSO

SPECIFICATIONS
TO BE USED IN
CONJUNCTION WITH
THIS DRAWING

JSA-01, JST-02
JSA-10, JSA-17
JSA-34, JSA-85
JS-115
IMO-R29

MAKE FROM PART NO.

TITLE: VALVE ASSEMBLY
3" SERIES 9150RR MODEL C
FULL BORE ASME CLASS 150
FLANGED BALL VALVE

RESTRICTED

DRAWN: PJD
DATE: 6/22/15

APPVD: KAS
DATE: 7/1/15

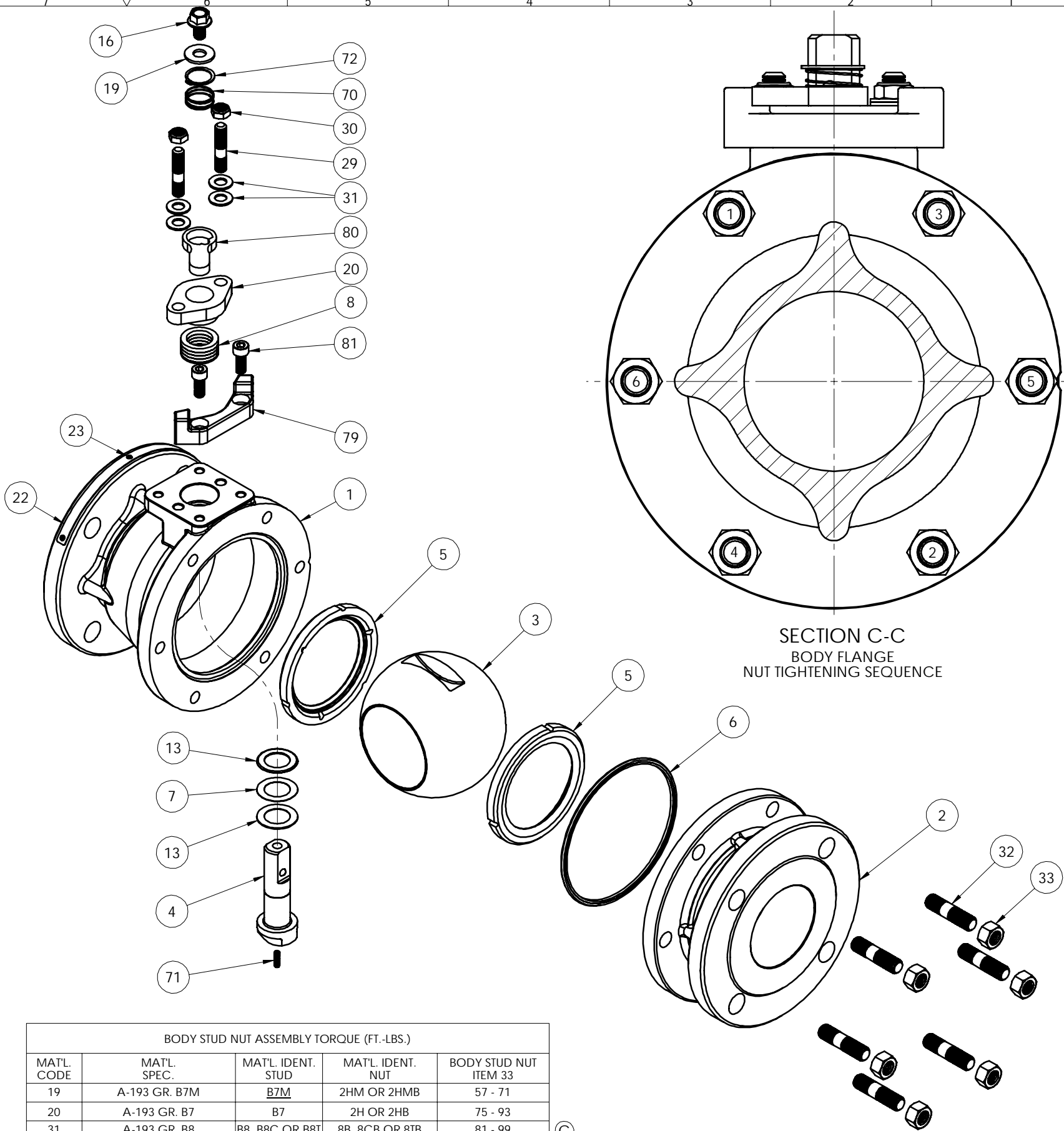
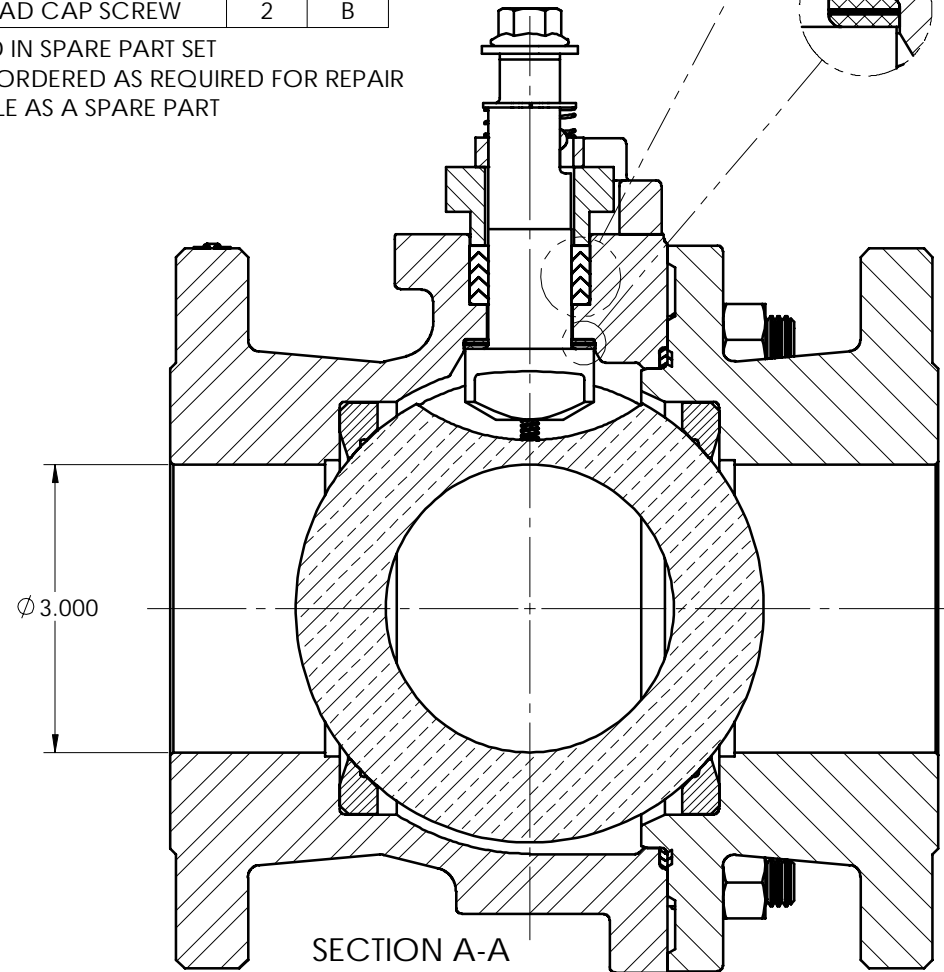


SIZE: D
DWG NO: 5573
REV: C

| ITEM NO. | DESCRIPTION | QTY. | SPARE PART |
|----------|----------------------------|------|------------|
| 1 | BODY | 1 | N/A |
| 2 | BODY CAP | 1 | N/A |
| 3 | BALL | 1 | B |
| 4 | STEM | 1 | B |
| 5 | SEAT | 2 | A |
| 6 | BODY SEAL | 1 | A |
| 7 | SECONDARY STEM SEAL | 1 | A |
| 8 | STEM SEAL | 1 | A |
| 13 | STEM BEARING | 2 | A |
| 16 | HEX. HEAD CAP SCREW | 1 | B |
| 17 | HANDLE (SEE NOTE 6) | 1 | B |
| 19 | FLAT WASHER | 1 | B |
| 20 | COMPRESSION PLATE | 1 | B |
| 22 | IDENTIFICATION TAG | 1 | N/A |
| 23 | POP RIVET | 3 | N/A |
| 29 | BONNET STUD | 2 | B |
| 30 | BONNET STUD NUT (ESNA) (A) | 2 | B |
| 31 | DISC SPRING | 4 | B |
| 32 | BODY STUD | 6 | B |
| 33 | BODY STUD NUT | 6 | B |
| 70 | TOP GROUNDING SPRING | 1 | B |
| 71 | BOTTOM GROUNDING SPRING | 1 | B |
| 72 | RETAINING RING | 1 | B |
| 79 | TRAVEL STOP | 1 | B |
| 80 | INDICATOR STOP | 1 | B |
| 81 | SOCKET HEAD CAP SCREW | 2 | B |

A= PART SUPPLIED IN SPARE PART SET
 B= PART MAY BE ORDERED AS REQUIRED FOR REPAIR
 N/A= NOT AVAILABLE AS A SPARE PART

PROPER DISC SPRING
 ARRANGEMENT
 (UNCOMPRESSED)



| BODY STUD NUT ASSEMBLY TORQUE (FT.-LBS.) | | | | |
|--|------------------------|-----------------------|-----------------------|-----------------------|
| MATL. CODE | MATL. SPEC. | MAT'L. IDENT. STUD | MAT'L. IDENT. NUT | BODY STUD NUT ITEM 33 |
| 19 | A-193 GR. B7M | <u>B7M</u> | 2HM OR 2HMB | 57 - 71 |
| 20 | A-193 GR. B7 | B7 | 2H OR 2HB | 75 - 93 |
| 31 | A-193 GR. B8 | <u>B8, B8C OR B8I</u> | <u>B8, B8C OR B8I</u> | 81 - 99 |
| 35 | B-473 CARPENTER 20Cb-3 | A20 | A20 | 43 - 53 |
| 71 | QQ-N-286 | K | K | 58 - 71 |

THIS DRAWING AND ALL INFORMATION CONTAINED HEREIN ARE THE PROPERTY OF METSO AND ARE NOT TO BE USED EXCEPT AS AUTHORIZED IN WRITING BY METSO

RESTRICTED

TITLE: VALVE ASSEMBLY 3" SERIES 9150RR MODEL C FULL BORE ASME CLASS 150 FLANGED BALL VALVE

DATE: 6/22/15

DATE: 7/1/15

SIZE: D DWG NO: 5573 REV: C

© 2019 Metso

metso SHREWSBURY, MASSACHUSETTS